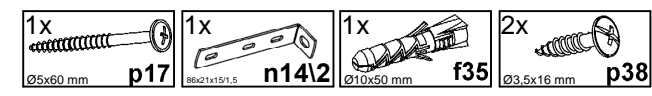
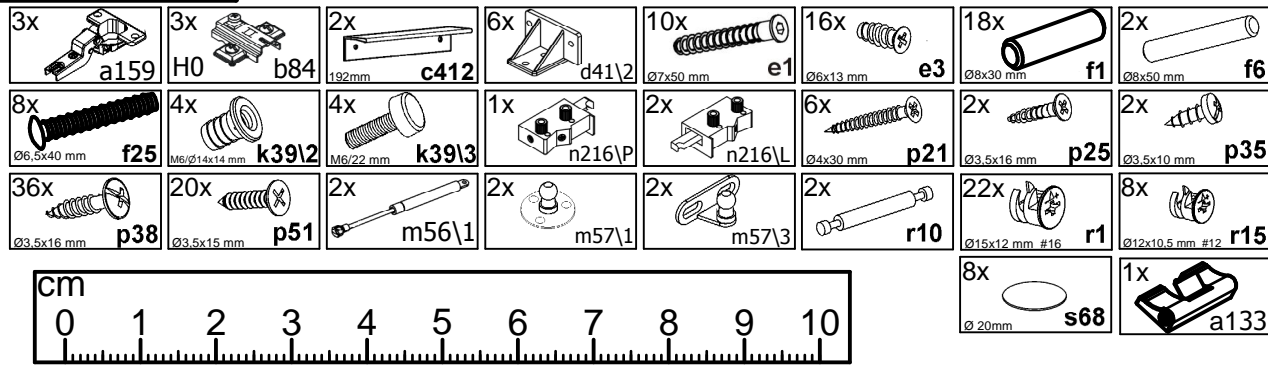
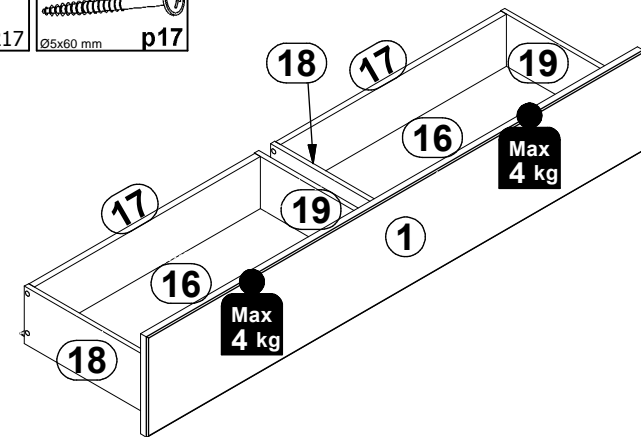
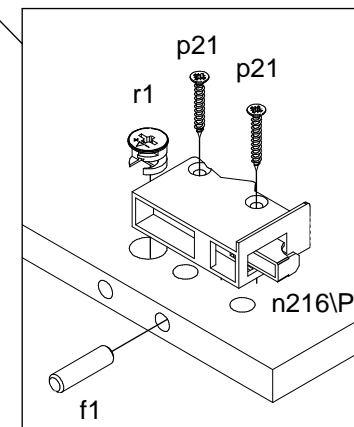
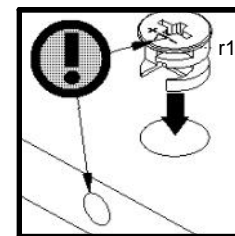
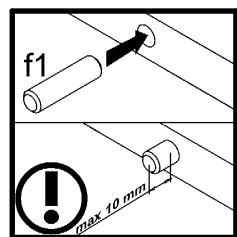
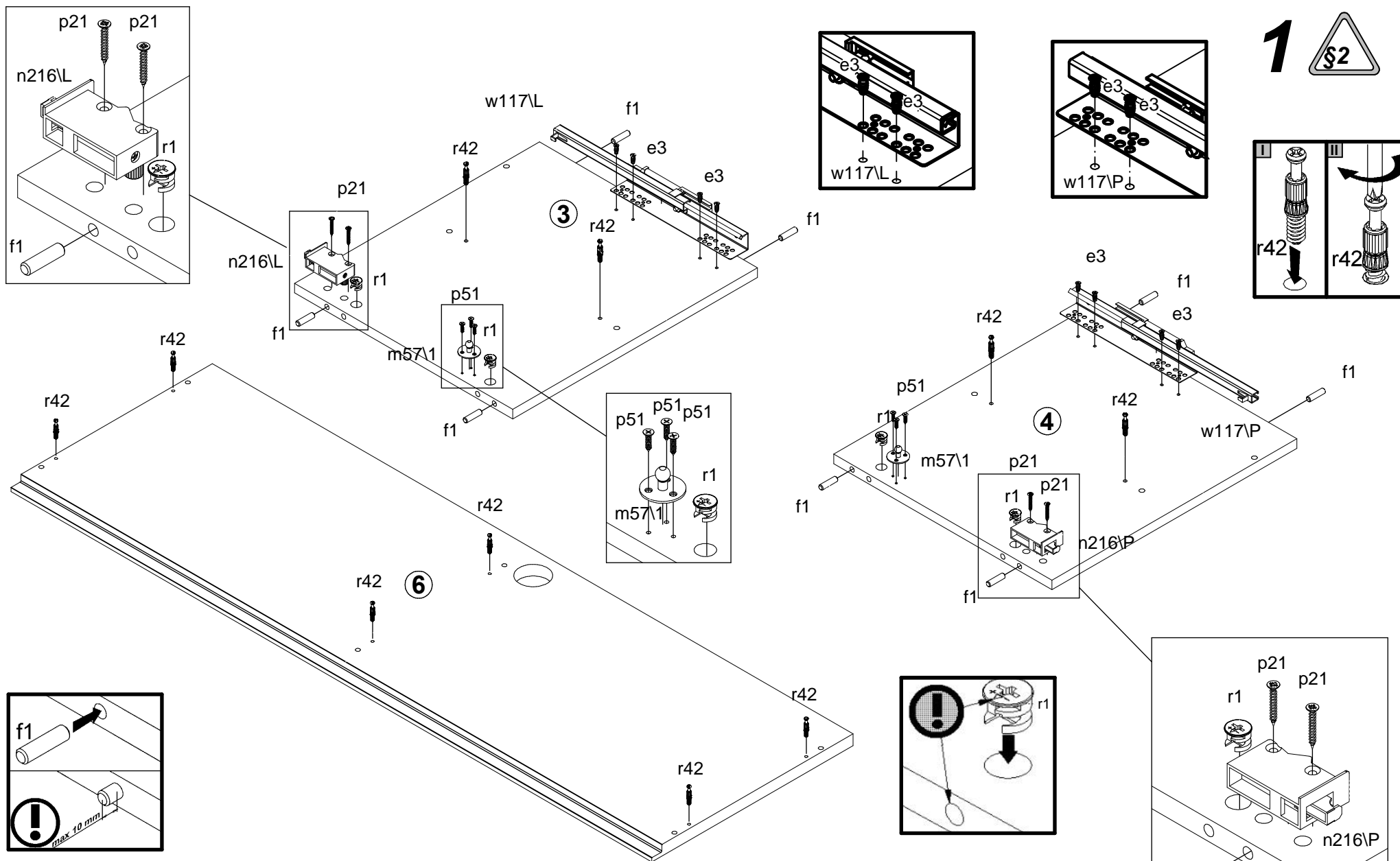


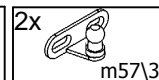
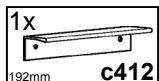
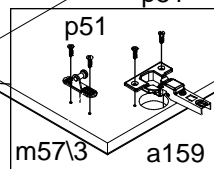
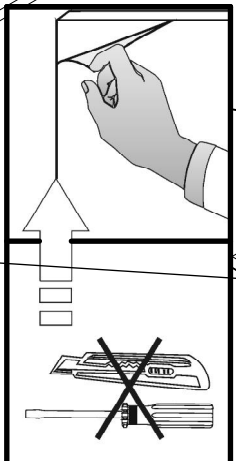
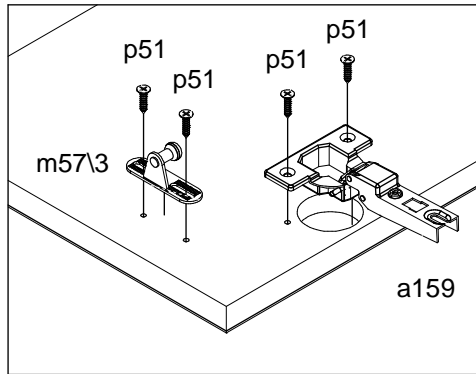
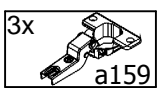
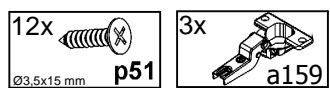
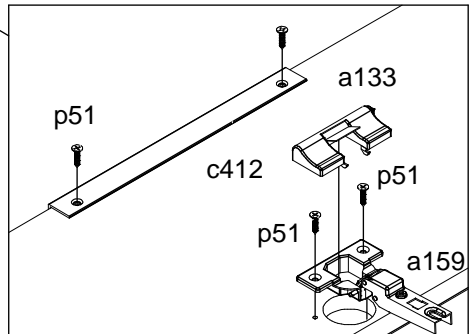
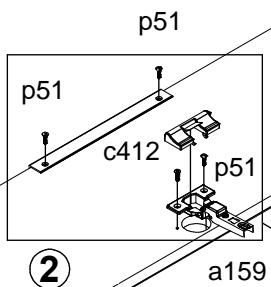
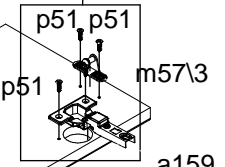
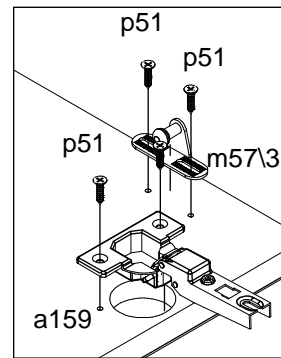
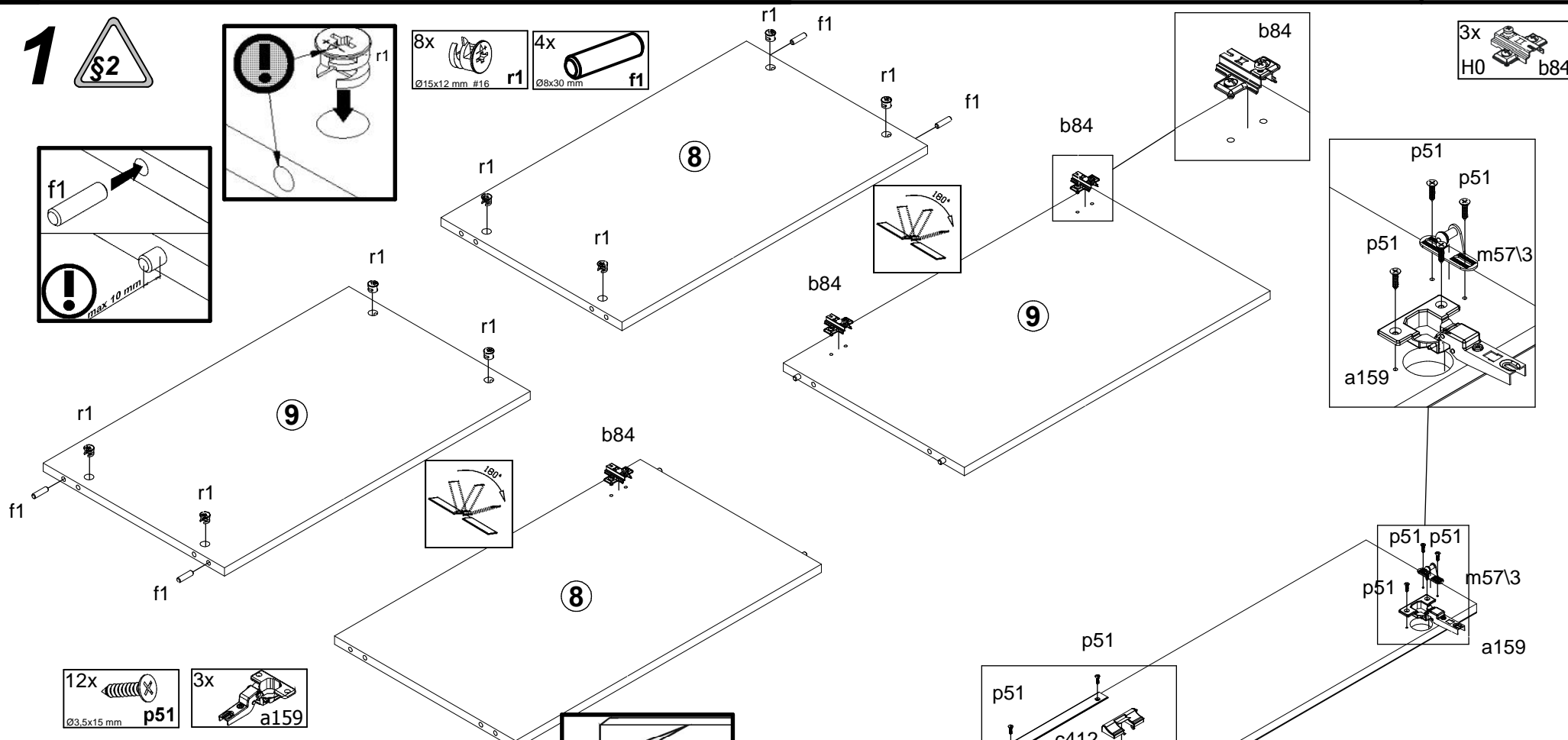
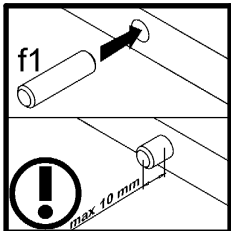
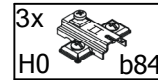
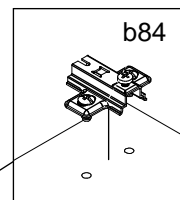
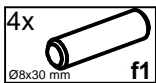
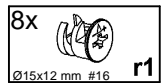
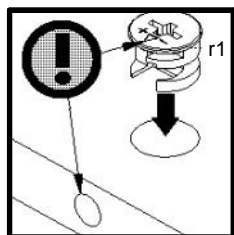
| A | B | C1 | C2 | C3 | D |
|----|-----------|------|------|-----|-----|
| 1 | S507-0002 | 244 | 1396 | 19 | 2/2 |
| 2 | S507-0003 | 244 | 1396 | 19 | 2/2 |
| 3 | S507-1009 | 468 | 417 | 16 | 1/2 |
| 4 | S507-1010 | 468 | 417 | 16 | 1/2 |
| 5 | S507-1011 | 468 | 400 | 16 | 1/2 |
| 6 | S507-2004 | 1400 | 440 | 22 | 2/2 |
| 7 | S507-2005 | 1400 | 418 | 16 | 1/2 |
| 8 | S507-3011 | 675 | 400 | 16 | 1/2 |
| 9 | S507-3012 | 675 | 400 | 16 | 1/2 |
| 10 | S507-4001 | 1300 | 100 | 16 | 2/2 |
| 11 | S507-4002 | 290 | 100 | 16 | 1/2 |
| 12 | S507-4003 | 1267 | 100 | 16 | 1/2 |
| 13 | S507-4004 | 1399 | 100 | 16 | 2/2 |
| 14 | S507-4005 | 290 | 100 | 16 | 1/2 |
| 15 | S507-4502 | 144 | 1367 | 16 | 2/2 |
| 16 | WSP-9280 | 646 | 358 | 2,5 | 1/2 |
| 17 | ZQ6-5074 | 635 | 127 | 15 | 1/2 |
| 18 | ZQ6-511 | 350 | 140 | 12 | 2/2 |
| 19 | ZQ6-512 | 350 | 140 | 12 | 2/2 |



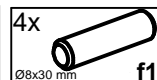
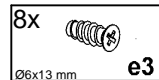
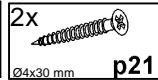
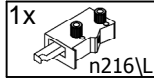


- | | | | | | | | | | |
|---------------------|---------------------|-------------------|------------------------|-----------------|-------------------|--------------|--------------|--------------------|----------------------|
| 2x 350 mm W117/L | 2x 350 mm W117/P | 8x Ø6x13 mm e3 | 4x Ø15x12 mm #16 r1 | 6x 20/11 r42 | 8x Ø8x30 mm f1 | 1x n216/P | 1x n216/L | 4x Ø4x30 mm p21 | 6x Ø3.5x15 mm p51 |
|---------------------|---------------------|-------------------|------------------------|-----------------|-------------------|--------------|--------------|--------------------|----------------------|

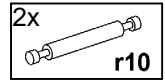
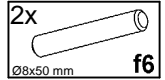
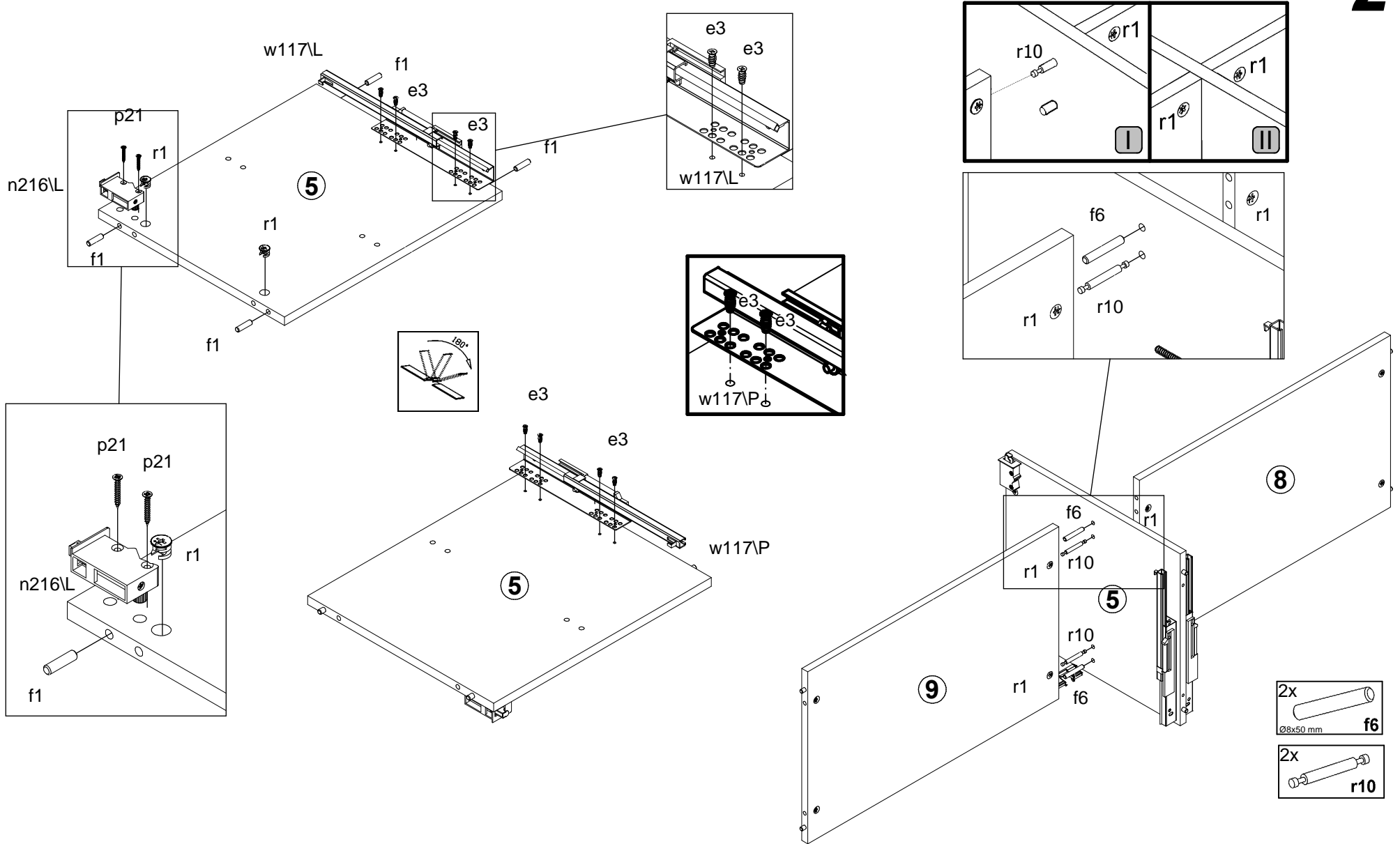
1



1

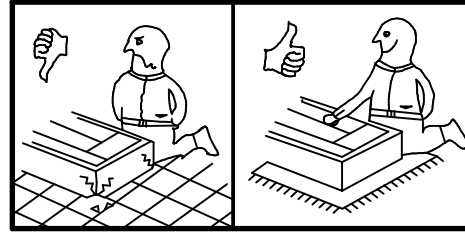


2

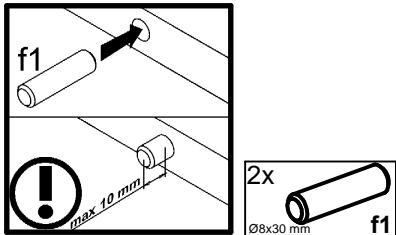
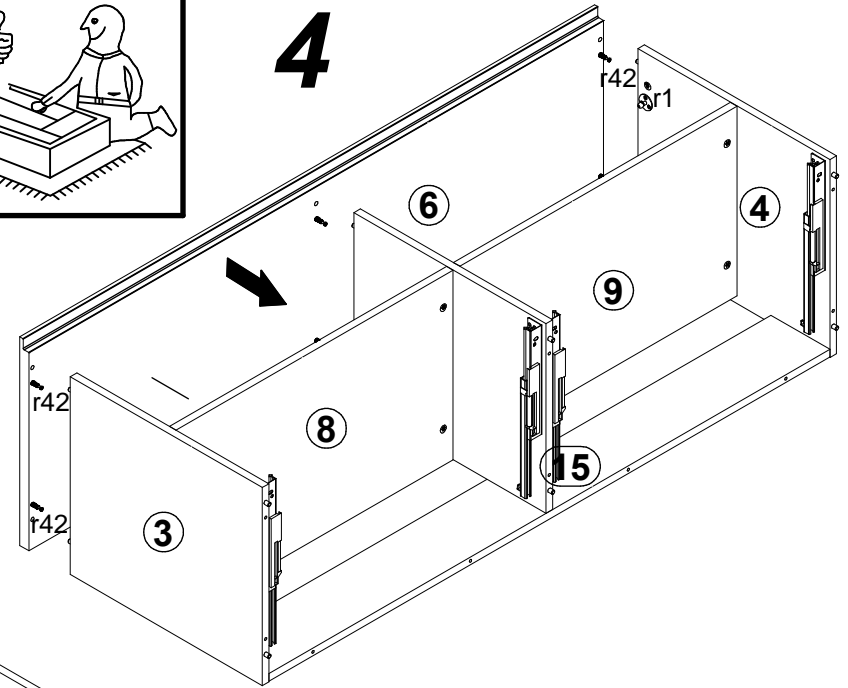
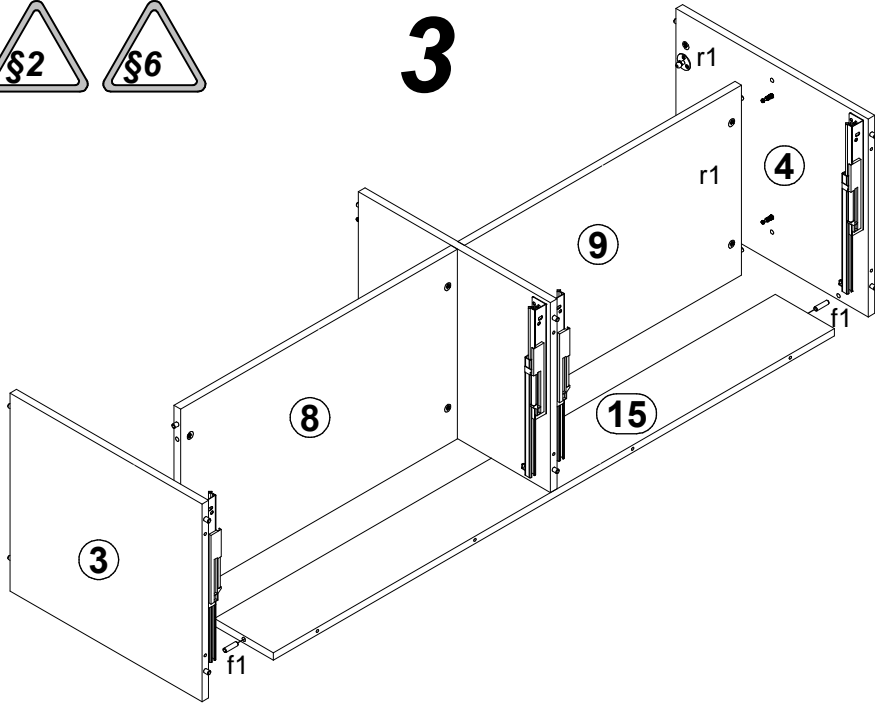




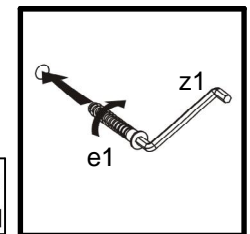
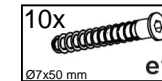
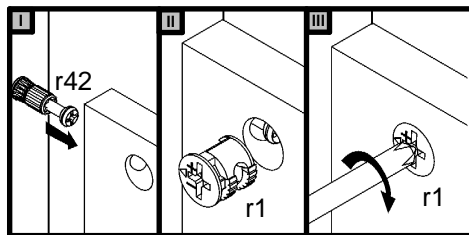
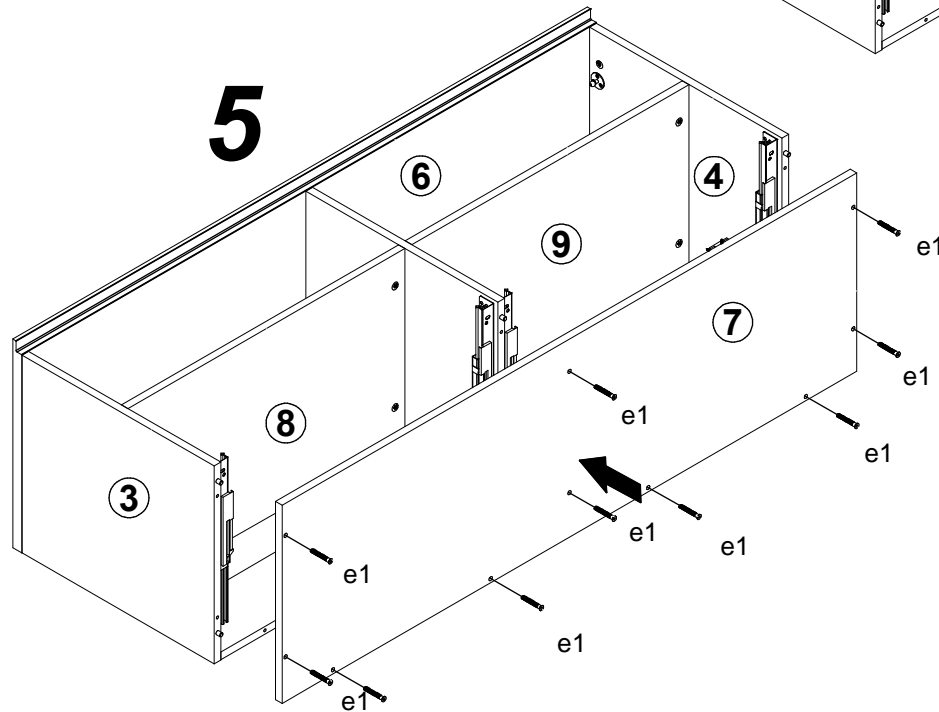
3



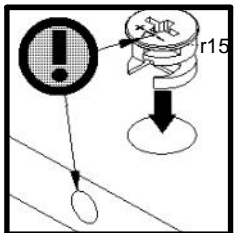
4



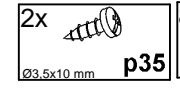
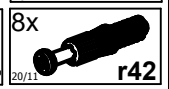
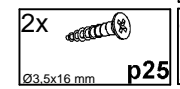
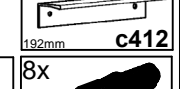
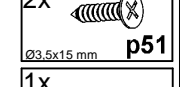
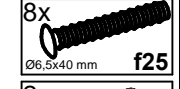
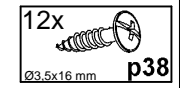
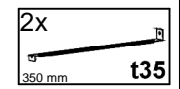
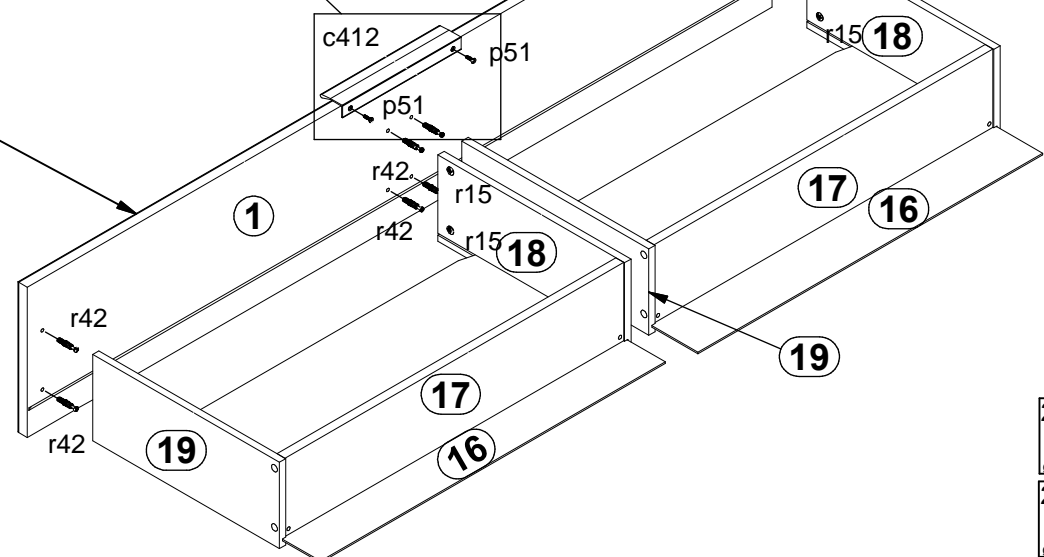
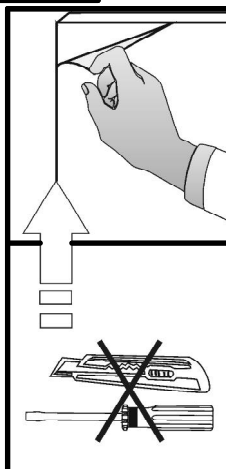
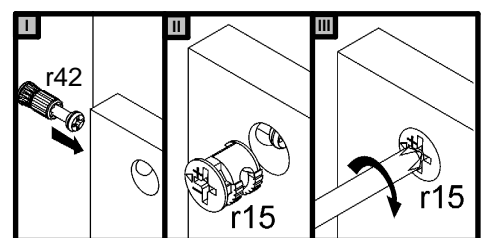
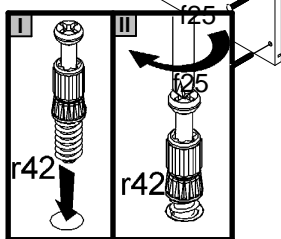
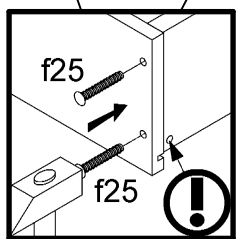
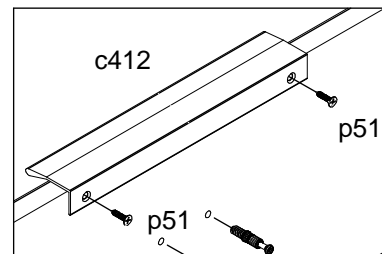
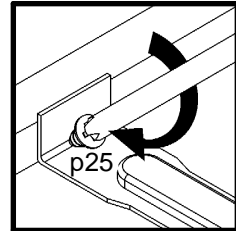
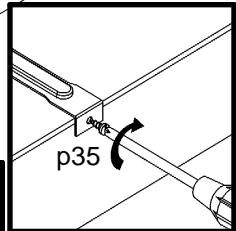
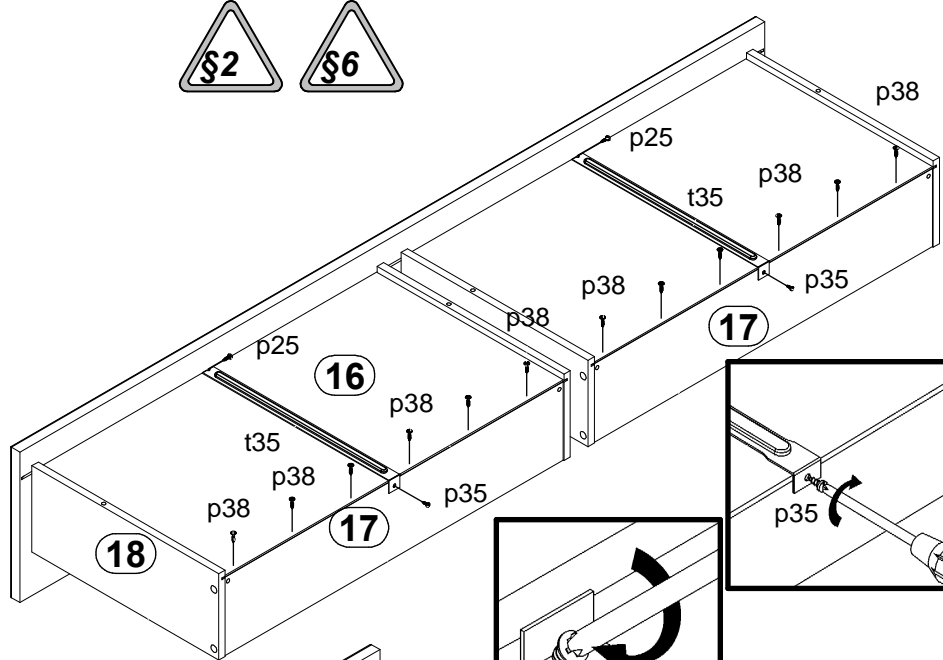
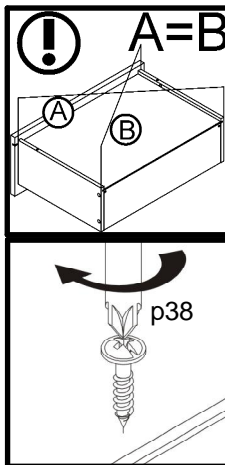
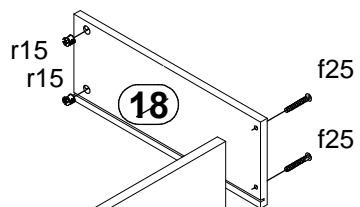
5



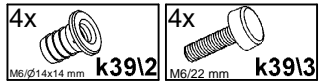
5



2x



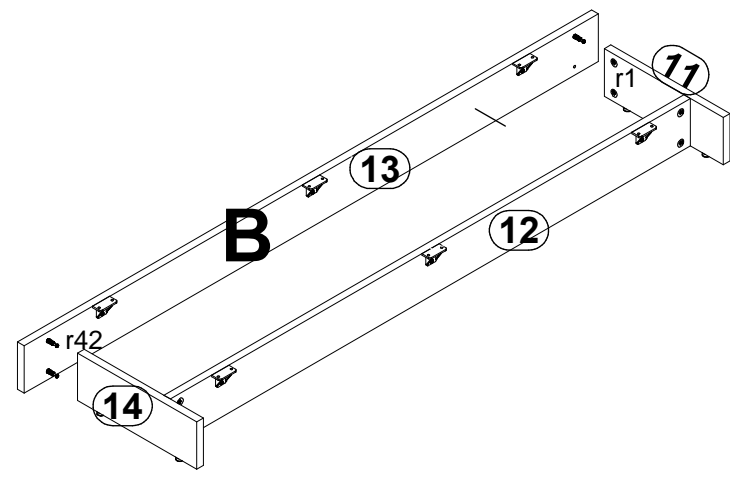
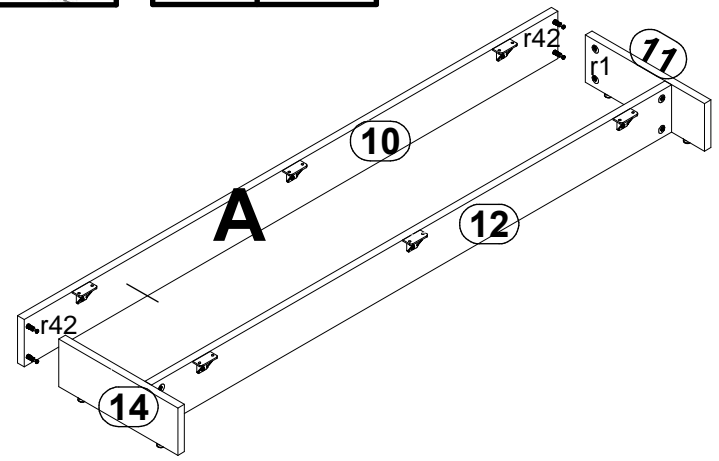
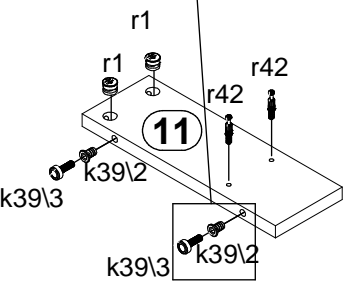
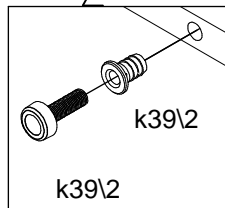
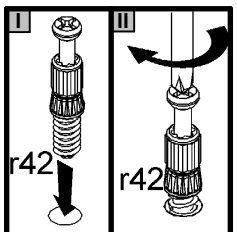
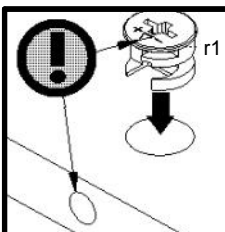
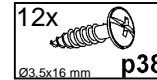
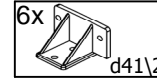
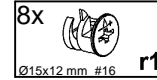
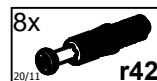
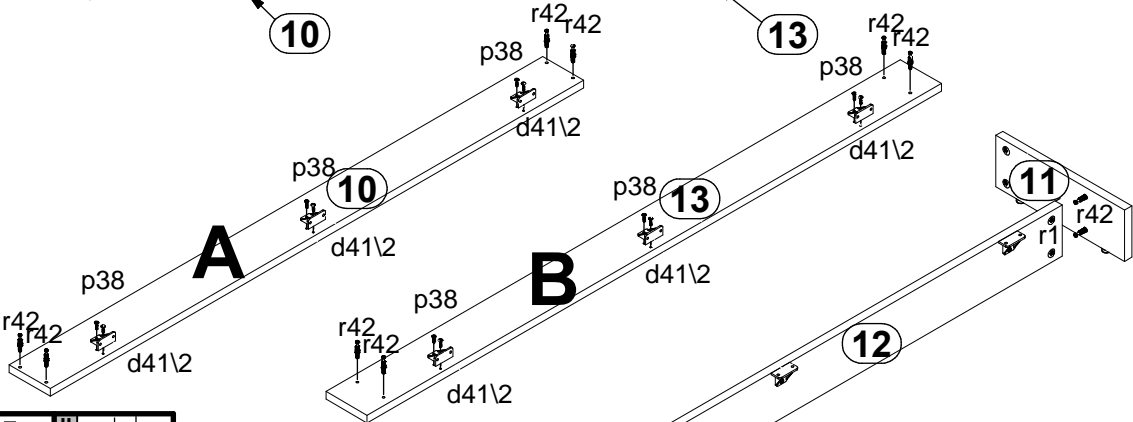
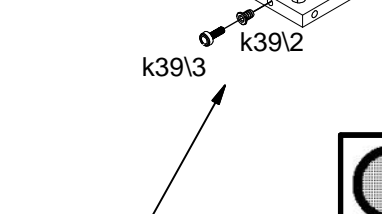
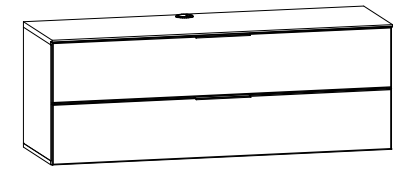
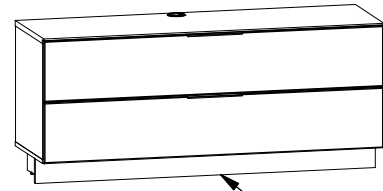
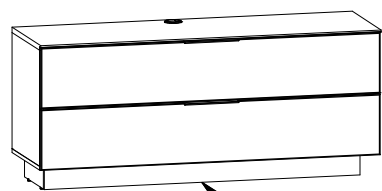
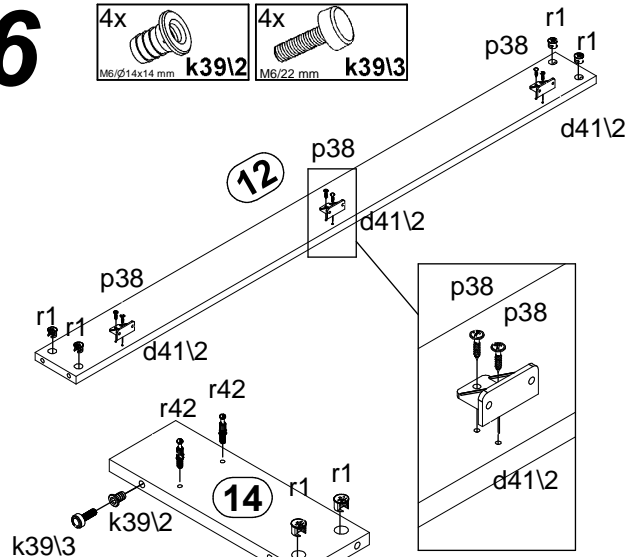
6



A

B

C

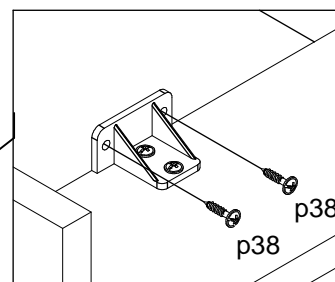
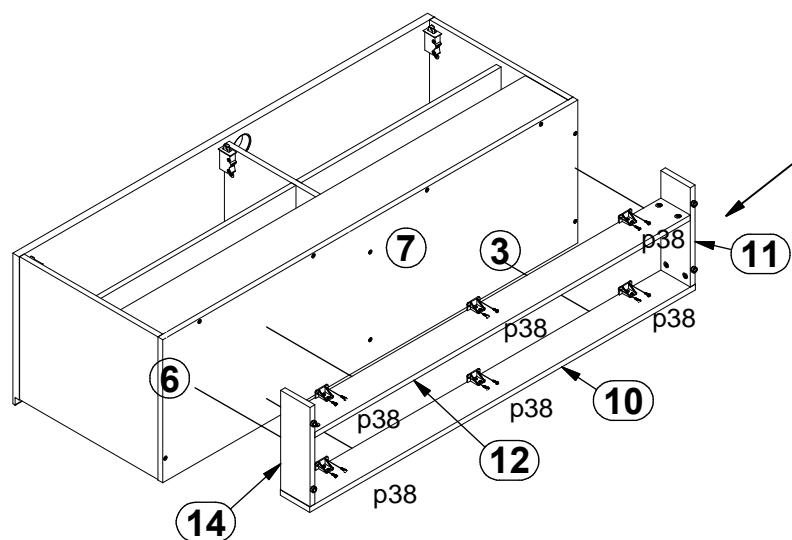
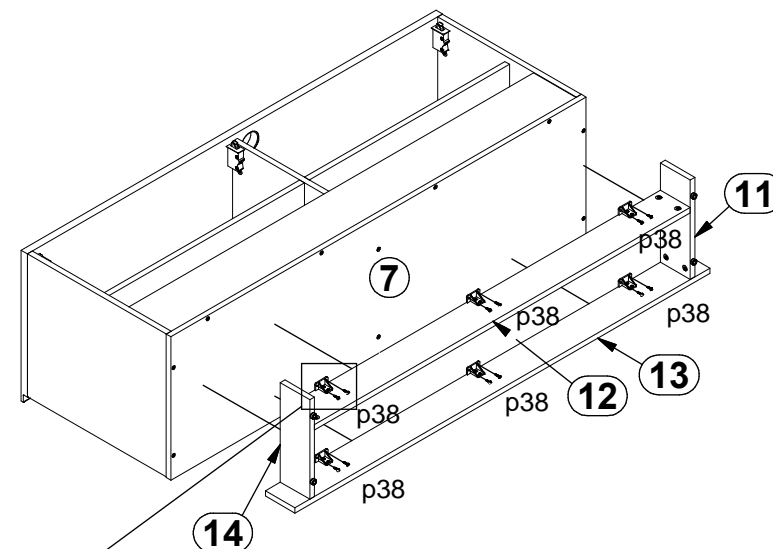
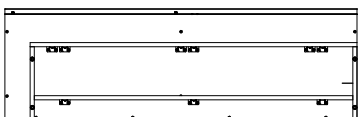
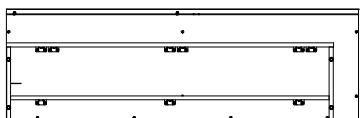
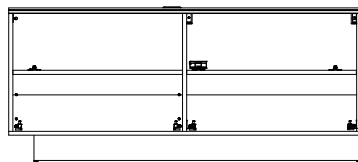
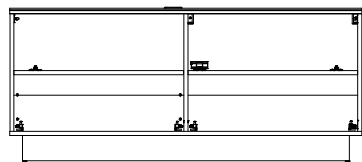
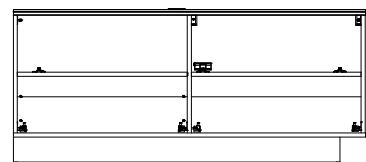


7 AL

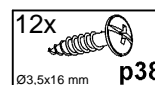
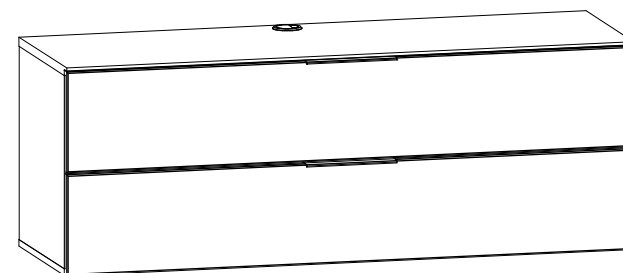
A

AP

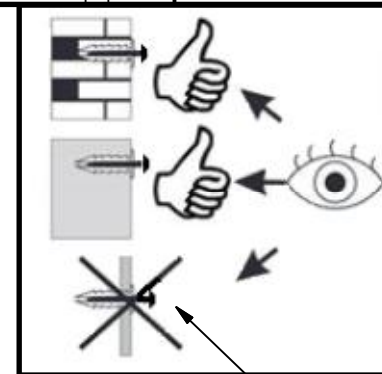
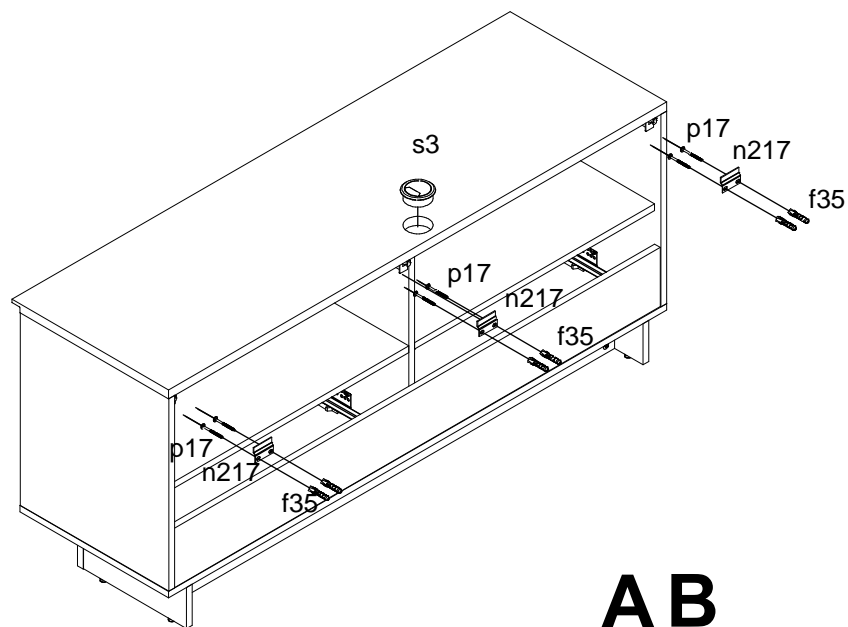
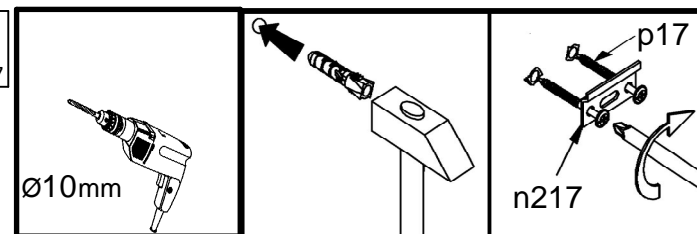
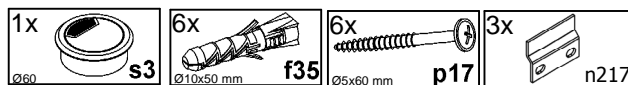
B



C

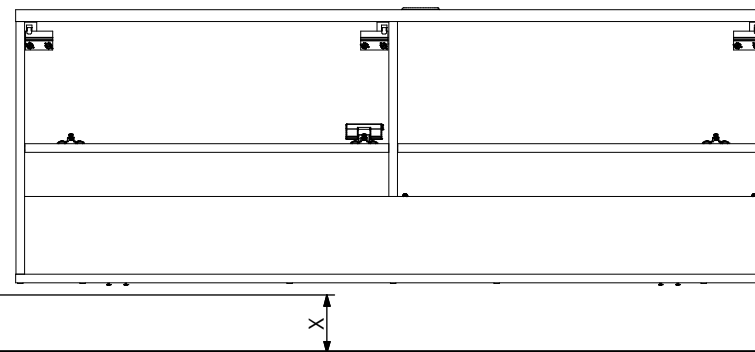
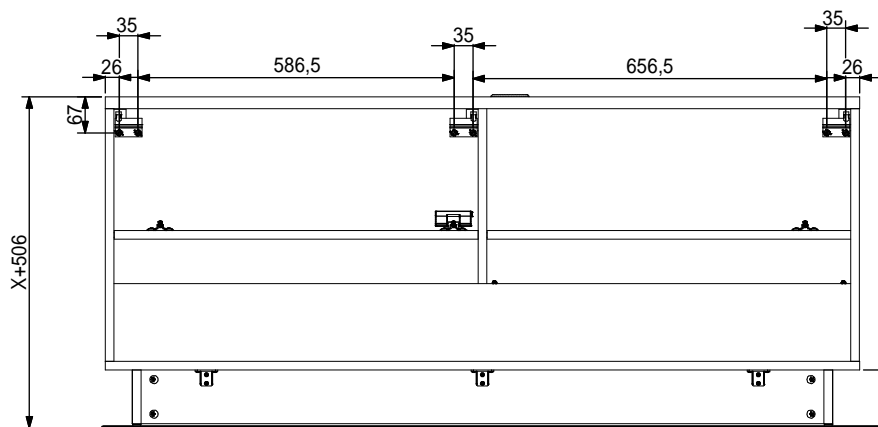


8



AB

C



9

